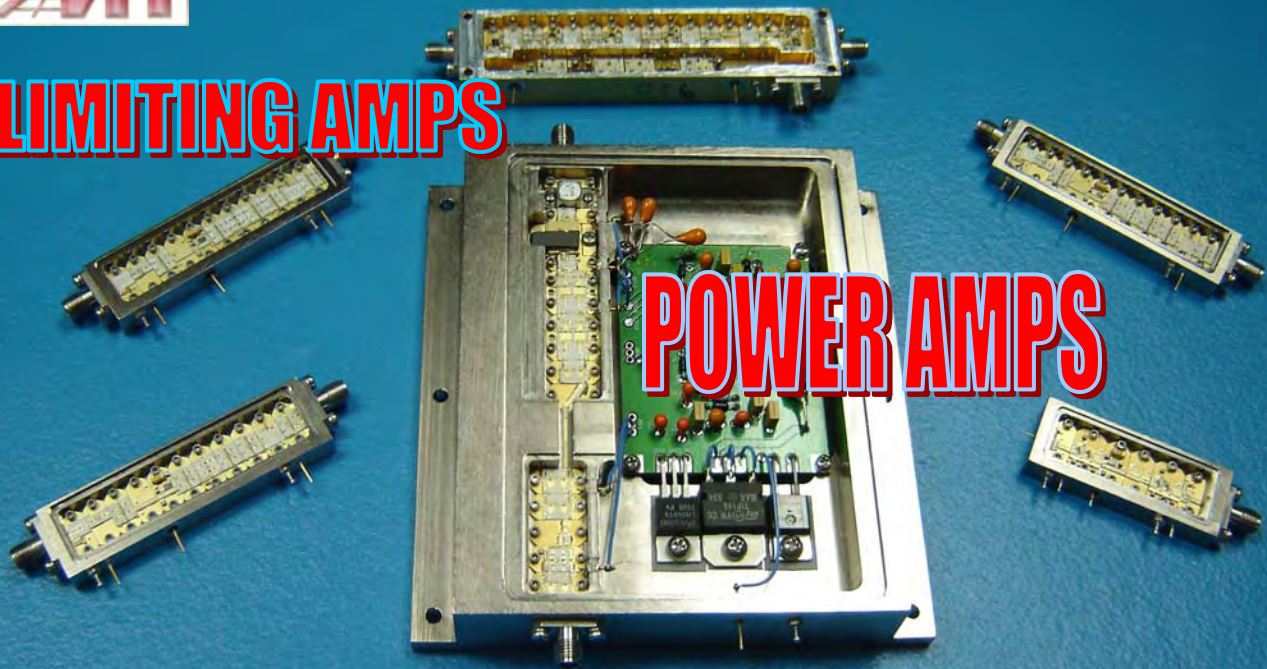




**Genesis Microwave, Inc.**

**LIMITING AMPS**



**POWER AMPS**

**AMPLIFIER PRODUCTS**



**LNA'S**



# GENESIS MICROWAVE, INC.

---

## Company Profile

Genesis Microwave, Inc. is a combination of three other entities, Hybrid Assembly Resource (HARI), Genesis and Suntek Microwave. HARI began as a sole proprietorship in 1997 to assemble microwave components and sub-system assemblies, founded by Santiago Cutia, Jr. Genesis began as a sole proprietorship in 2001 to manufacture microwave components (Amplifiers, DLVA's and SDLVA's). In July 2003, both Hybrid and Genesis merged into Genesis Microwave, Inc. In January 2004 Genesis Microwave, Inc. purchased substantially all of the assets of Suntek Microwave, Inc., founded to market, design and manufacture microwave components.

Our management and technical staffs are comprised of the most seasoned microwave technologists in the industry today with professional experience from Lockheed Martin, Avantek, Harris Corporation, TRW Microwave and Signal Technology Corp. Our experience ranges from the early cold war architectures to the current microwave technologies for future military electronics.

Genesis Microwave, Inc. occupies over 5,000 square feet of Engineering and Manufacturing facilities in the Silicon Hills of El Dorado, California. We specialize in the manufacture of state of the art Microwave Amplifiers, Detector Log Video Amplifiers (Extended Dynamic Range and CW Immune), and Successive Detector Log Video Amplifiers, needed for Electronic Support Measures (ESM), Electronic Counter Measures (ECM), and Radar Warning Receiver (RWR). Systems.

Our Quality Manual/programs for processes and procedures are based on combinations of MIL-STD-883, and MIL-I-45208A.

For more information on Genesis Microwave, Inc. and our Products and Services, please visit our website at <http://www.genesismicrowave.com>

4921 Robert J. Mathews Pkwy Suite 1, El Dorado Hills, CA 95762  
Phone: (916) 941-9125 \* Fax: (916) 941-9584

## **Table of Contents**

### **LOW NOISE AMPLIFIERS:**

T	GMI 0.5 TO 2.0 GHZ -----	2
T	GMI 2.0 TO 4.0 GHZ -----	3
T	GMI 2.0 TO 8.0 GHZ -----	4
T	GMI 6.0 TO 12.0 GHZ -----	5
T	GMI 5.0 TO 13.0 GHZ -----	6
T	GMI 12.0 TO 18.0 GHZ -----	7
T	GMI 6.0 TO 15.0 GHZ -----	8
T	GMI 18.0 TO 26.5 GHZ -----	9
T	GMI 26.5 TO 40 GHZ -----	10
T	GMI 18.0 TO 40.0 GHZ -----	11

### **POWER AMPLIFIERS**

T	GMI 0.4 TO .5 GHZ -----	12
T	GMI 1.0 TO 1.5 GHZ -----	12
T	GMI 2.7 TO 3.5 GHZ -----	12
T	GMI 4.975 TO 5.425 GHZ -----	12
T	GMI 8.8 TO 9.0 GHZ -----	12
T	GMI 9.3 TO 9.5 GHZ -----	12
T	GMI 6.0 TO 18.0 GHZ -----	12
T	GMI 8.0 TO 18.0 GHZ -----	12

### **LIMITING AMPLIFIERS**

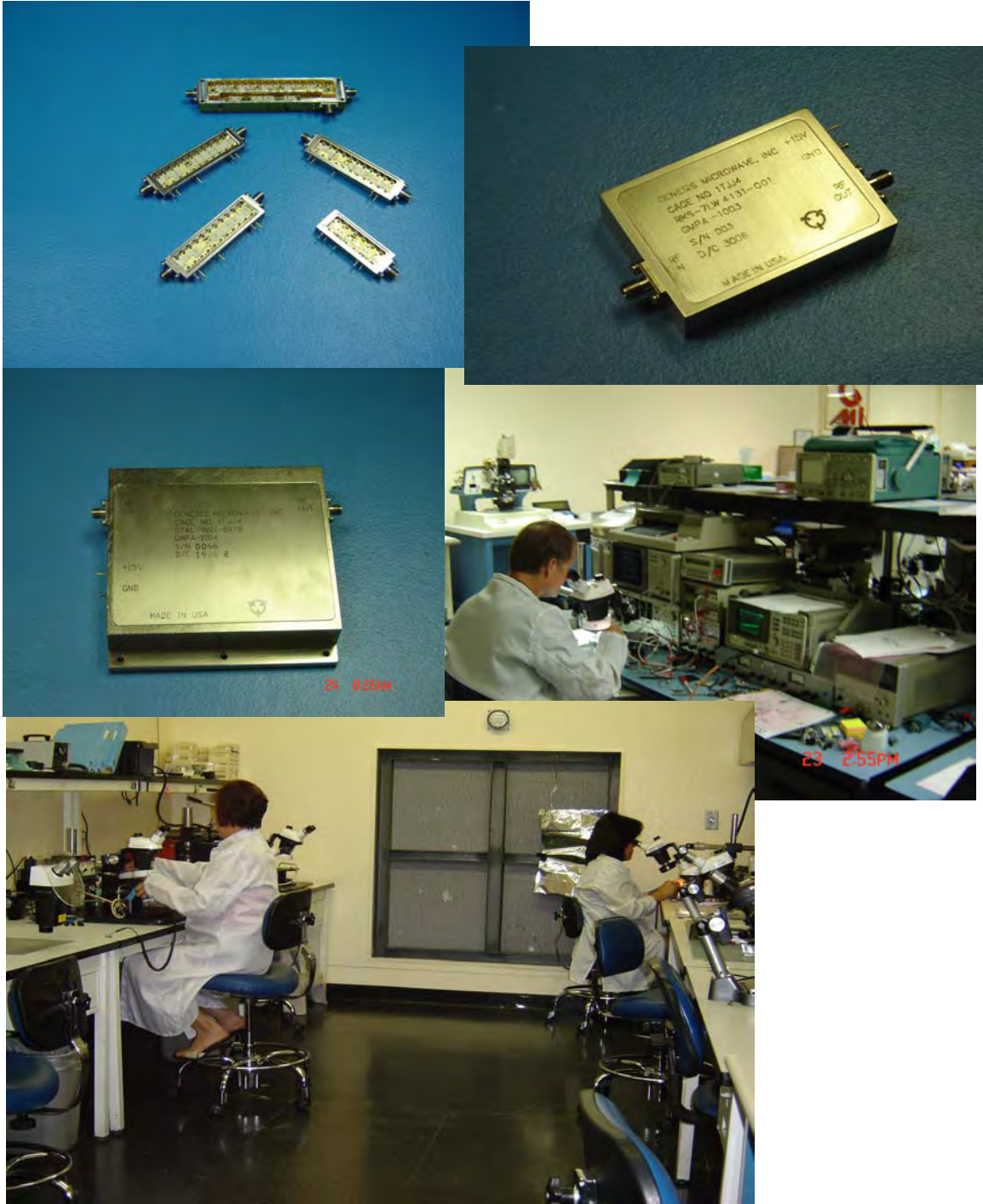
T	GMI 0.5 TO 1.0 GHZ -----	12
T	GMI 2.0 TO 6.0 GHZ -----	12
T	GMI 4.5 TO 17.0 GHZ -----	12
T	GMI 6.0 TO 18.0 GHZ -----	12
T	GMI 8.7 TO 10.7 GHZ -----	12
T	GMI 9.3 TO 9.5 GHZ -----	12

### **APPENDIX - INSTALLATION DRAWINGS:**

T	GWB SERIES
T	GMM SERIES
T	GMC-NP SERIES



Genesis' facility spans more than ten thousand square feet of office space, laboratory, and clean rooms.



**GMI offers a wide variety of customized microwave components and building block subassemblies. If our catalog products do not meet your requirements, please call us at 916-941-9125 and Genesis will customize your needs.**

## GMI 0.5 - 2.0 GHz Amplifiers

<b>Standard 0.5 - 2.0 GHz Amplifiers ( Specs. Guaranteed @ 25 ° C )</b>								
GMI MODEL #	FREQUENCY RANGE (GHz)	PWR OUT P1dB (min)	GAIN (dB) min.	GAIN FLAT (±dB)	NOISE FIGURE (dB)	VSWR (max)	DC CURRENT +15 Vdc TYP	CASE
GSA0522-08-16	.5 - 2.0	08	16.0	1.5	2.0	2.0:1	65	GWB
GSA0522-15-26	.5 - 2.0	15	26.0	1.5	2.0	2.0:1	130	GWB
GSA0522-15-31	.5 - 2.0	15	31.0	1.5	2.0	2.0:1	190	GWB
GSA0528-15-43	.5 - 2.0	15	43.0	1.5	2.0	2.0:1	240	GWB
GSA0522-20-27	.5 - 2.0	20	27.0	1.5	2.5	2.0:1	240	GWB
GSA0522-20-33	.5 - 2.0	20	33.0	1.5	2.5	2.0:1	290	GWB
GSA0522-20-43	.5 - 2.0	20	43.0	1.5	2.5	2.0:1	340	GWB
GSA0522-20-51	.5 - 2.0	20	51.0	1.5	2.5	2.0:1	390	GWB
GSA0522-20-58	.5 - 2.0	20	58.0	1.5	2.5	2.0:1	450	GWB
GSA0522-23-33	.5 - 2.0	23	33.0	1.5	2.5	2.0:1	340	GWB
GSA0522-27-34	.5 - 2.0	27	34.0	1.5	3.0	2.0:1	790	GWB
GPA0522-30-31	.5 - 2.0	30	31.0	2.0	5.5	2.0:1	1200	GWB
GPA0522-30-35	.5 - 2.0	30	35.0	2.0	5.5	2.0:1	1200	GWB
GPA0522-33-35	.5 - 2.0	33	35.0	2.0	6.0	2.0:1	1800	GWB
GPA0522-33-45	.5 - 2.0	33	45.0	2.0	6.0	2.0:1	1800	GWB

**Notes:**

1. All of Genesis amplifier components have built-in voltage regulators operating from +11.5Vdc to 15.5Vdc.
2. Maximum RF input power is 20dBm (CW) or 30dBm pulse, 1m second and 1% duty cycle.

## Temperature Compensated Amplifiers

<b>Temp. Comp 0.5 - 2.0 GHz Amplifiers ( Specs. Guaranteed @ -54 to +85 ° C )</b>								
GMI MODEL #	FREQUENCY RANGE (GHz)	PWR OUT P1dB (min)	GAIN (dB) min.	GAIN OVER TEMP (±dB)	NOISE FIGURE (dB)	VSWR (max)	DC CURRENT +15 Vdc TYP	CASE
GTC0522-15-20	.5 - 2.0	15	20.0	2.0	4.0	2.0:1	190	GWB
GTC0522-15-29	.5 - 2.0	15	29.0	2.0	4.0	2.0:1	240	GWB
GTC0522-15-33	.5 - 2.0	15	33.0	2.0	4.0	2.0:1	300	GWB
GTC0522-20-30	.5 - 2.0	20	30.0	2.0	4.0	2.0:1	340	GWB
GTC0522-20-36	.5 - 2.0	20	36.0	2.0	4.0	2.0:1	390	GWB
GTC0522-20-46	.5 - 2.0	20	46.0	2.0	4.0	1.8:1	440	GWB

**GMI offers a wide variety of customized microwave components and building block subassemblies. If our catalog products do not meet your requirements, please call us at 916-941-9125 and Genesis will customize your needs.**

## GMI 2.0 - 4.0 GHz Amplifiers

<b>Standard 2.0 - 4.0 GHz Amplifiers ( Specs. Guaranteed @ 25 ° C )</b>								
GMI MODEL #	FREQUENCY RANGE (GHz)	PWR OUT P1dB (min)	GAIN (dB) min.	GAIN FLAT (±dB)	NOISE FIGURE (dB)	VSWR (max)	DC CURRENT +15 Vdc TYP	CASE
GSA224-08-15	2.0 - 8.0	8	15.0	1.5	2.0	2.0:1	65	GWB
GSA224-15-25	2.0 - 4.0	15	25.0	1.5	2.2	2.0:1	130	GWB
GSA224-15-32	2.0 - 4.0	15	32.0	1.5	1.5	2.0:1	190	GWB
GSA224-15-43	2.0 - 4.0	15	43.0	1.5	1.5	2.0:1	240	GWB
GSA224-20-21	2.0 - 4.0	20	21.0	1.5	2.5	2.0:1	240	GWB
GSA224-20-33	2.0 - 4.0	20	33.0	1.5	2.5	2.0:1	290	GWB
GSA224-20-43	2.0 - 4.0	20	43.0	1.5	2.5	2.0:1	340	GWB
GSA224-20-52	2.0 - 4.0	20	52.0	1.5	2.5	2.0:1	390	GWB
GSA224-20-58	2.0 - 4.0	20	58.0	1.5	2.5	2.0:1	450	GWB
GSA224-23-33	2.0 - 4.0	23	33.0	1.5	3.0	2.0:1	340	GWB
GSA224-25-31	2.0 - 4.0	25	31.0	1.5	3.0	2.0:1	420	GWB
GSA224-27-33	2.0 - 4.0	27	33.0	1.5	3.0	2.0:1	790	GWB
GPA224-30-31	2.0 - 4.0	30	31.0	2.0	5.5	2.0:1	1200	GWB
GPA224-30-36	2.0 - 4.0	30	36.0	2.0	5.5	2.0:1	1200	GWB
GPA224-33-32	2.0 - 4.0	33	32.0	2.0	6.0	2.0:1	1800	GWB
GPA224-33-37	2.0 - 4.0	33	37.0	2.0	6.0	2.0:1	1800	GWB

*Notes:*

1. All of Genesis amplifier components have built-in voltage regulators operating from +11.5Vdc to 15.5Vdc.
2. Maximum RF input power is 20dBm (CW) or 30dBm pulse, 1m second and 1% duty cycle.

## Temperature Compensated Amplifiers

<b>Temp. Comp 2.0 - 4.0 GHz Amplifiers ( Specs. Guaranteed @ -54 to +85 ° C )</b>								
GMI MODEL #	FREQUENCY RANGE (GHz)	PWR OUT P1dB (min)	GAIN (dB) min.	GAIN OVER TEMP (±dB)	NOISE FIGURE (dB)	VSWR (max)	DC CURRENT +15 Vdc TYP	CASE
GTC224-15-19	2.0 - 4.0	15	19.0	2.0	4.0	2.0:1	200	GWB
GTC224-15-28	2.0 - 4.0	15	28.0	2.0	4.0	2.0:1	250	GWB
GTC224-15-34	2.0 - 4.0	15	35.0	2.0	4.0	2.0:1	310	GWB
GTC224-20-28	2.0 - 4.0	20	28.0	2.0	4.0	2.0:1	350	GWB
GTC224-20-35	2.0 - 4.0	20	35.0	2.0	4.5	2.0:1	400	GWB
GTC224-20-45	2.0 - 4.0	20	45.0	2.0	4.0	1.8:1	450	GWB

**GMI offers a wide variety of customized microwave components and building block subassemblies. If our catalog products do not meet your requirements, please call us at 916-941-9125 and Genesis will customize your needs.**

## GMI 2.0 - 8.0 GHz Amplifiers

**Standard 2.0 - 8.0 GHz Amplifiers ( Specs. Guaranteed @ 25 ° C )**

GMI MODEL #	FREQUENCY RANGE (GHz)	PWR OUT P1dB (min)	GAIN (dB) min.	GAIN FLAT (±dB)	NOISE FIGURE (dB)	VSWR (max)	DC CURRENT +15 Vdc TYP	CASE
GSA228-08-15	2.0 - 8.0	8	15.0	1.5	2.2	2.0:1	65	GWB
GSA228-15-26	2.0 - 8.0	15	26.0	1.5	2.2	2.0:1	140	GWB
GSA228-15-31	2.0 - 8.0	15	31.0	1.5	1.5	2.0:1	190	GWB
GSA228-15-43	2.0 - 8.0	15	43.0	1.5	2.2	2.0:1	240	GWB
GSA228-20-22	2.0 - 8.0	20	22.0	1.5	3.5	2.0:1	240	GWB
GSA228-20-33	2.0 - 8.0	20	33.0	1.5	2.5	2.0:1	290	GWB
GSA228-20-43	2.0 - 8.0	20	43.0	1.5	2.5	2.0:1	340	GWB
GSA228-20-51	2.0 - 8.0	20	51.0	1.5	2.5	2.0:1	390	GWB
GSA228-20-58	2.0 - 8.0	20	58.0	1.5	2.5	2.0:1	450	GWB
GSA228-23-34	2.0 - 8.0	23	34.0	1.5	3.0	2.0:1	340	GWB
GSA228-25-31	2.0 - 8.0	25	31.0	1.5	3.0	2.0:1	420	GWB
GSA228-27-33	2.0 - 8.0	27	33.0	1.5	3.0	2.0:1	790	GWB
GPA228-30-31	2.0 - 8.0	30	31.0	2.0	5.5	2.0:1	1200	GWB
GPA228-30-36	2.0 - 8.0	30	36.0	2.0	5.5	2.0:1	1200	GWB
GPA228-33-32	2.0 - 8.0	33	32.0	2.0	6.0	2.0:1	1800	GWB
GPA228-33-35	2.0 - 8.0	33	35.0	2.0	6.0	2.0:1	1800	GWB

*Notes:*

1. All of Genesis amplifier components have built-in voltage regulators operating from +11.5Vdc to 15.5Vdc.
2. Maximum RF input power is 20dBm (CW) or 30dBm pulse, 1m second and 1% duty cycle.

## Temperature Compensated Amplifiers

**Temp. Comp 2.0 - 8.0 GHz Amplifiers ( Specs. Guaranteed @ -54 to +85 ° C )**

GMI MODEL #	FREQUENCY RANGE (GHz)	PWR OUT P1dB (min)	GAIN (dB) min.	GAIN OVER TEMP (±dB)	NOISE FIGURE (dB)	VSWR (max)	DC CURRENT +15 Vdc TYP	CASE
GTC228-15-19	2.0 - 8.0	15	19.0	2.0	4.0	2.0:1	200	GWB
GTC228-15-28	2.0 - 8.0	15	28.0	2.0	4.0	2.0:1	250	GWB
GTC228-15-35	2.0 - 8.0	15	35.0	2.0	4.0	2.0:1	310	GWB
GTC228-20-28	2.0 - 8.0	20	28.0	2.0	4.0	2.0:1	340	GWB
GTC228-20-35	2.0 - 8.0	20	35.0	2.0	4.0	2.0:1	390	GWB
GTC228-20-46	2.0 - 8.0	20	46.0	2.0	4.0	1.8:1	440	GWB

**GMI offers a wide variety of customized microwave components and building block subassemblies. If our catalog products do not meet your requirements, please call us at 916-941-9125 and Genesis will customize your needs.**

## GMI 6.0 - 12.0 GHz Amplifiers

### Standard 6.0 - 12.0 GHz Amplifiers ( Specs. Guaranteed @ 25 ° C )

GMI MODEL #	FREQUENCY RANGE (GHz)	PWR OUT P1dB (min)	GAIN (dB) min.	GAIN FLAT (±dB)	NOISE FIGURE (dB)	VSWR (max)	DC CURRENT +15 Vdc TYP	CASE
GSA6212-08-11	6.0 - 12.0	8	11.0	1.0	2.2	2.0:1	70	GWB
GSA6212-08-22	6.0 - 12.0	8	22.0	1.5	2.2	2.0:1	145	GWB
GSA6212-15-21	6.0 - 12.0	15	21.0	1.5	2.5	2.0:1	160	GWB
GSA6212-15-30	6.0 - 12.0	15	30.0	1.5	2.5	2.0:1	170	GWB
GSA6212-15-42	6.0 - 12.0	15	42.0	1.5	2.2	2.0:1	215	GWB
GSA6212-20-19	6.0 - 12.0	20	19.0	1.5	4.0	2.0:1	170	GWB
GSA6212-20-27	6.0 - 12.0	20	27.0	1.5	4.0	2.0:1	240	GWB
GSA6212-20-36	6.0 - 12.0	20	36.0	1.5	4.0	2.0:1	290	GWB
GSA6212-20-42	6.0 - 12.0	20	42.0	1.5	3.0	2.0:1	340	GWB
GSA6212-20-49	6.0 - 12.0	20	49.0	1.5	3.0	2.0:1	400	GWB
GSA6212-27-33	6.0 - 12.0	27	33.0	1.5	5.5	2.0:1	940	GWB
GSA6212-27-43	6.0 - 12.0	27	43.0	1.5	5.5	2.0:1	950	GWB
GPA6212-30-36	6.0 - 12.0	30	36.0	1.5	5.0	2.0:1	1150	GWB
GPA6212-33-31	6.0 - 12.0	33	31.0	1.5	5.0	2.0:1	1700	GWB

**Notes:**

1. All of Genesis amplifier components have built-in voltage regulators operating from +11.5Vdc to 15.5Vdc.
2. Maximum RF input power is 20dBm (CW) or 30dBm pulse, 1m second and 1% duty cycle.

## Temperature Compensated Amplifiers

### Temp. Comp 6.0 - 12.0 GHz Amplifiers ( Specs. Guaranteed @ -54 to +85 ° C )

GMI MODEL #	FREQUENCY RANGE (GHz)	PWR OUT P1dB (min)	GAIN (dB) min.	GAIN OVER TEMP (±dB)	NOISE FIGURE (dB)	VSWR (max)	DC CURRENT +15 Vdc TYP	CASE
GTC6212-20-26	6.0 - 12.0	20	26.0	2.0	4.0	2.0:1	290	GWB
GTC6212-20-32	6.0 - 12.0	20	32.0	2.0	4.0	2.0:1	340	GWB
GTC6212-20-42	6.0 - 12.0	20	42.0	2.0	4.0	2.0:1	390	GWB
GTC6212-23-25	6.0 - 12.0	23	25.0	2.0	4.0	2.0:1	390	GWB
GTC6212-23-32	6.0 - 12.0	23	32.0	2.0	4.0	2.0:1	440	GWB
GTC6212-23-42	6.0 - 12.0	23	42.0	2.0	4.0	2.0:1	590	GWB

**GMI offers a wide variety of customized microwave components and building block subassemblies. If our catalog products do not meet your requirements, please call us at 916-941-9125 and Genesis will customize your needs.**



## GMI 5.0 - 13.0 GHz Amplifiers

### Standard 5.0 - 13.0 GHz Amplifiers ( Specs. Guaranteed @ 25 ° C )

GMI MODEL #	FREQUENCY RANGE (GHz)	PWR OUT P1dB (min)	GAIN (dB) min.	GAIN FLAT (±dB)	NOISE FIGURE (dB)	VSWR (max)	DC CURRENT +15 Vdc TYP	CASE
GSA5213-10-12	5.0 - 13.0	10	12.0	1.0	2.2	2.0:1	70	GWB
GSA5213-10-22	5.0 - 13.0	10	22.0	1.5	2.2	2.0:1	140	GWB
GSA5213-15-21	5.0 - 13.0	15	21.0	1.5	2.2	2.0:1	130	GWB
GSA5213-15-31	5.0 - 13.0	15	31.0	1.5	2.2	2.0:1	180	GWB
GSA5213-15-42	5.0 - 13.0	15	42.0	1.5	2.2	2.0:1	230	GWB
GSA5213-20-19	5.0 - 13.0	20	19.0	1.5	3.5	2.0:1	130	GWB
GSA5213-20-28	5.0 - 13.0	20	28.0	1.5	3.5	2.0:1	280	GWB
GSA5213-20-40	5.0 - 13.0	20	40.0	1.5	3.5	2.0:1	310	GWB
GSA5213-20-48	5.0 - 13.0	20	48.0	1.5	3.5	2.0:1	370	GWB
GSA5213-20-54	5.0 - 13.0	20	54.0	1.5	3.5	2.0:1	430	GWB
GSA5213-25-17	5.0 - 13.0	25	17.0	1.5	5.0	2.0:1	330	GWB
GSA5213-25-27	5.0 - 13.0	25	27.0	1.5	4.0	2.0:1	390	GWB
GSA5213-25-32	5.0 - 13.0	25	32.0	1.5	4.0	2.0:1	450	GWB
GSA5213-25-40	5.0 - 13.0	25	40.0	1.5	4.0	2.0:1	510	GWB
GSA5213-25-47	5.0 - 13.0	25	47.0	1.5	4.0	2.0:1	570	GWB
GSA5213-27-32	5.0 - 13.0	27	32.0	1.5	8.0	2.0:1	1050	GWB
GPA5213-30-31	5.0 - 13.0	30	31.0	1.5	5.0	2.0:1	1150	GWB

**Notes:**

1. All of Genesis amplifier components have built-in voltage regulators operating from +11.5Vdc to 15.5Vdc.
2. Maximum RF input power is 20dBm (CW) or 30dBm pulse, 1m second and 1% duty cycle.

## Temperature Compensated Amplifiers

### Temp. Comp 5.0 - 13.0 GHz Amplifiers ( Specs. Guaranteed @ -54 to +85 ° C )

GMI MODEL #	FREQUENCY RANGE (GHz)	PWR OUT P1dB (min)	GAIN (dB) min.	GAIN OVER TEMP (±dB)	NOISE FIGURE (dB)	VSWR (max)	DC CURRENT +15 Vdc TYP	CASE
GTC5213-20-26	5.0 - 13.0	20	26.0	2.0	4.0	2.0:1	290	GWB
GTC5213-20-32	5.0 - 13.0	20	32.0	2.0	4.0	2.0:1	340	GWB
GTC5213-20-42	5.0 - 13.0	20	42.0	2.0	4.0	2.0:1	390	GWB
GTC5213-23-25	5.0 - 13.0	23	25.0	2.0	4.0	2.0:1	390	GWB
GTC5213-23-31	5.0 - 13.0	23	31.0	2.0	4.0	2.0:1	440	GWB
GTC5213-23-41	5.0 - 13.0	23	41.0	2.0	4.0	2.0:1	590	GWB

**GMI offers a wide variety of customized microwave components and building block subassemblies. If our catalog products do not meet your requirements, please call us at 916-941-9125 and Genesis will customize your needs.**

## GMI 12.0 - 18.0 GHz Amplifiers

### Standard 12.0 - 18.0 GHz Amplifiers ( Specs. Guaranteed @ 25 ° C )

GMI MODEL #	FREQUENCY RANGE (GHz)	PWR OUT P1dB (min)	GAIN (dB) min.	GAIN FLAT (±dB)	NOISE FIGURE (dB)	VSWR (max)	DC CURRENT +15 Vdc TYP	CASE
GSA12218-08-12	12.0 - 18.0	8	12.0	1.0	2.0	2.0:1	75	GWB
GSA12218-08-21	12.0 - 18.0	8	21.0	1.5	2.0	2.0:1	140	GWB
GSA12218-10-29	12.0 - 18.0	10	29.0	1.5	2.0	2.0:1	140	GWB
GSA12218-13-27	12.0 - 18.0	13	27.0	1.5	2.0	2.0:1	180	GWB
GSA12218-13-36	12.0 - 18.0	13	36.0	1.5	2.0	2.0:1	240	GWB
GSA12218-15-29	12.0 - 18.0	15	29.0	1.5	2.2	2.0:1	190	GWB
GSA12218-15-33	12.0 - 18.0	15	33.0	1.5	2.2	2.0:1	265	GWB
GSA12218-15-40	12.0 - 18.0	15	40.0	1.5	2.2	2.0:1	340	GWB
GSA12218-15-45	12.0 - 18.0	15	45.0	1.5	2.2	2.0:1	410	GWB
GSA12218-15-52	12.0 - 18.0	15	52.0	1.5	2.2	2.0:1	470	GWB
GSA12218-17-39	12.0 - 18.0	17	39.0	1.5	2.2	2.0:1	365	GWB
GSA12218-20-31	12.0 - 18.0	20	31.0	1.5	2.5	2.0:1	360	GWB
GSA12218-20-34	12.0 - 18.0	20	34.0	1.5	2.5	2.0:1	420	GWB
GSA12218-20-39	12.0 - 18.0	20	39.0	1.5	2.5	2.0:1	440	GWB
GSA12218-20-44	12.0 - 18.0	20	44.0	1.5	2.5	2.0:1	480	GWB
GSA12218-20-50	12.0 - 18.0	20	50.0	1.5	2.5	2.0:1	540	GWB
GSA12218-25-32	12.0 - 18.0	25	32.0	1.5	5.0	2.0:1	640	GWB
GPA12218-30-31	12.0 - 18.0	30	31.0	1.5	7.5	2.0:1	1700	GWB

**Notes:**

1. All of Genesis amplifier components have built-in voltage regulators operating from +11.5Vdc to 15.5Vdc.
2. Maximum RF input power is 20dBm (CW) or 30dBm pulse, 1m second and 1% duty cycle.

## Temperature Compensated Amplifiers

### Temp. Comp 12.0 - 18.0 GHz Amplifiers ( Specs. Guaranteed @ -54 to +85 ° C )

GMI MODEL #	FREQUENCY RANGE (GHz)	PWR OUT P1dB (min)	GAIN (dB) min.	GAIN OVER TEMP (±dB)	NOISE FIGURE (dB)	VSWR (max)	DC CURRENT +15 Vdc TYP	CASE
GTC12218-12-22	12.0 - 18.0	12	22.0	2.0	4.0	2.0:1	290	GWB
GTC12218-15-26	12.0 - 18.0	15	26.0	2.0	4.0	2.0:1	340	GWB
GTC12218-15-40	12.0 - 18.0	15	40.0	2.5	4.0	2.0:1	440	GWB
GTC12218-18-30	12.0 - 18.0	18	30.0	2.0	4.0	2.0:1	360	GWB
GTC12218-18-36	12.0 - 18.0	18	36.0	2.5	4.0	2.0:1	440	GWB
GTC12218-20-30	12.0 - 18.0	20	30.0	2.5	4.0	2.0:1	480	GWB
GTC12218-20-40	12.0 - 18.0	20	40.0	2.5	4.0	2.0:1	540	GWB

**GMI offers a wide variety of customized microwave components and building block subassemblies. If our catalog products do not meet your requirements, please call us at 916-941-9125 and Genesis will customize your needs.**

## GMI 6.0 - 18.0 GHz Amplifiers

### Standard 6.0 - 18.0 GHz Amplifiers ( Specs. Guaranteed @ 25 ° C )

GMI MODEL #	FREQUENCY RANGE (GHz)	PWR OUT P1dB (min)	GAIN (dB) min.	GAIN FLAT (±dB)	NOISE FIGURE (dB)	VSWR (max)	DC CURRENT +15 Vdc TYP	CASE
GSA6218-08-11	6.0 - 18.0	8	11.0	1.0	2.7	2.0:1	75	GWB
GSA6218-08-21	6.0 - 18.0	8	21.0	1.5	2.7	2.0:1	140	GWB
GSA6218-10-29	6.0 - 18.0	10	29.0	1.5	3.0	2.0:1	140	GWB
GSA6218-13-27	6.0 - 18.0	13	27.0	1.5	3.0	2.0:1	180	GWB
GSA6218-13-37	6.0 - 18.0	13	37.0	1.5	3.0	2.0:1	240	GWB
GSA6218-15-29	6.0 - 18.0	15	29.0	1.5	3.2	2.0:1	190	GWB
GSA6218-15-33	6.0 - 18.0	15	33.0	1.5	3.2	2.0:1	265	GWB
GSA6218-15-39	6.0 - 18.0	15	39.0	1.5	3.0	2.0:1	340	GWB
GSA6218-15-45	6.0 - 18.0	15	45.0	1.5	3.0	2.0:1	410	GWB
GSA6218-15-52	6.0 - 18.0	15	52.0	1.5	3.0	2.0:1	470	GWB
GSA6218-17-40	6.0 - 18.0	17	40.0	1.5	3.2	2.0:1	365	GWB
GSA6218-20-31	6.0 - 18.0	20	31.0	1.5	3.5	2.0:1	360	GWB
GSA6218-20-33	6.0 - 18.0	20	33.0	1.5	3.5	2.0:1	420	GWB
GSA6218-20-40	6.0 - 18.0	20	40.0	1.5	3.5	2.0:1	440	GWB
GSA6218-20-43	6.0 - 18.0	20	43.0	1.5	3.5	2.0:1	480	GWB
GSA6218-20-50	6.0 - 18.0	20	50.0	1.5	3.5	2.0:1	540	GWB
GSA6218-25-32	6.0 - 18.0	25	32.0	1.5	5.0	2.0:1	640	GWB
GSA6218-27-31	6.0 - 18.0	27	31.0	1.5	6.5	2.0:1	715	GWB
GPA6218-30-31	6.0 - 18.0	30	31.0	1.5	7.5	2.0:1	1700	GWB

**Notes:**

1. All of Genesis amplifier components have built-in voltage regulators operating from +11.5Vdc to 15.5Vdc.
2. Maximum RF input power is 20dBm (CW) or 30dBm pulse, 1m second and 1% duty cycle.

### Temperature Compensated Amplifiers

#### Temp. Comp 6.0 - 18.0 GHz Amplifiers ( Specs. Guaranteed @ -54 to +85 ° C )

GMI MODEL #	FREQUENCY RANGE (GHz)	PWR OUT P1dB (min)	GAIN (dB) min.	GAIN OVER TEMP (±dB)	NOISE FIGURE (dB)	VSWR (max)	DC CURRENT +15 Vdc TYP	CASE
GTC6218-12-21	6.0 - 18.0	12	21.0	2.0	4.0	2.0:1	290	GWB
GTC6218-15-26	6.0 - 18.0	15	26.0	2.0	4.0	2.0:1	340	GWB
GTC6218-15-41	6.0 - 18.0	15	41.0	2.5	4.0	2.0:1	440	GWB
GTC6218-18-31	6.0 - 18.0	18	31.0	2.0	4.5	2.0:1	360	GWB
GTC6218-18-36	6.0 - 18.0	18	36.0	2.5	4.5	2.0:1	440	GWB
GTC6218-20-30	6.0 - 18.0	20	30.0	2.5	4.5	2.0:1	480	GWB
GTC6218-20-40	6.0 - 18.0	20	40.0	2.5	4.5	2.0:1	540	GWB

**GMI offers a wide variety of customized microwave components and building block subassemblies. If our catalog products do not meet your requirements, please call us at 916-941-9125 and Genesis will customize your needs.**

## GMI 18.0 - 26.5 GHz Amplifiers

Standard 18.0 - 26.5 GHz Amplifiers ( Specs. Guaranteed @ 25 ° C )								
GMI MODEL #	FREQUENCY RANGE (GHz)	PWR OUT P1dB (min)	GAIN (dB) min.	GAIN FLAT (±dB)	NOISE FIGURE (dB)	VSWR (max)	DC CURRENT +15 Vdc TYP	CASE
GSA18226-10-24	18.0 - 26.5	10	24.0	1.25	3.5	2.2:1	190	GMM
GSA18226-10-28	18.0 - 26.5	10	28.0	1.25	3.5	2.2:1	290	GMM
GSA18226-12-30	18.0 - 26.5	12	30.0	1.5	4.5	2.2:1	250	GMM
GSA18226-12-37	18.0 - 26.5	12	37.0	1.75	4.5	2.2:1	300	GMM
GSA18226-12-42	18.0 - 26.5	12	42.0	2.0	4.5	2.2:1	380	GMM
GSA18226-12-49	18.0 - 26.5	12	49.0	2.0	4.5	2.2:1	440	GMM
GSA18226-15-21	18.0 - 26.5	15	21.0	1.5	4.5	2.2:1	340	GMM
GSA18226-15-32	18.0 - 26.5	15	32.0	1.75	4.5	2.2:1	490	GMM
GSA18226-15-38	18.0 - 26.5	15	38.0	2.0	4.5	2.2:1	540	GMM
GSA18226-15-45	18.0 - 26.5	15	45.0	2.0	4.5	2.2:1	600	GMM
GSA18226-23-29	18.0 - 26.5	23	29.0	1.75	5.5	2.2:1	815	GMM
GSA18226-25-28	18.0 - 26.5	25	28.0	1.75	7.0	2.2:1	1350	GMM
GSA18226-27-28	18.0 - 26.5	27	28.0	1.75	7.0	2.2:1	2600	GMM

**Notes:**

1. All of Genesis amplifier components have built-in voltage regulators operating from +11.5Vdc to 15.5Vdc.
2. Maximum RF input power is 20dBm (CW) or 30dBm pulse, 1m second and 1% duty cycle.

## Temperature Compensated Amplifiers

Temp. Comp 18.0 - 26.5 GHz Amplifiers ( Specs. Guaranteed @ -54 to +85 ° C )								
GMI MODEL #	FREQUENCY RANGE (GHz)	PWR OUT P1dB (min)	GAIN (dB) min.	GAIN OVER TEMP (±dB)	NOISE FIGURE (dB)	VSWR (max)	DC CURRENT +15 Vdc TYP	CASE
GTC18226-12-21	18.0 - 26.5	12	21.0	3.0	7.5	2.2:1	390	GMM
GTC18226-12-28	18.0 - 26.5	12	28.0	3.5	7.5	2.2:1	465	GMM
GTC18226-12-34	18.0 - 26.5	12	34.0	3.5	7.0	2.2:1	515	GMM
GTC18226-12-39	18.0 - 26.5	12	39.0	3.5	7.0	2.2:1	565	GMM
GTC18226-15-27	18.0 - 26.5	15	27.0	3.5	7.5	2.2:1	590	GMM
GTC18226-15-33	18.0 - 26.5	15	33.0	3.5	7.5	2.2:1	660	GMM

**GMI offers a wide variety of customized microwave components and building block subassemblies. If our catalog products do not meet your requirements, please call us at 916-941-9125 and Genesis will customize your needs.**

## GMI 26.5 - 40.0 GHz Amplifiers

Standard 26.5 - 40.0 GHz Amplifiers ( Specs. Guaranteed @ 25 ° C )								
GMI MODEL #	FREQUENCY RANGE (GHz)	PWR OUT P1dB (min)	GAIN (dB) min.	GAIN FLAT (±dB)	NOISE FIGURE (dB)	VSWR (max)	DC CURRENT +15 Vdc TYP	CASE
GMA26240-10-22	26.5 - 40.0	10	22.0	2.0	5.0	2.5:1	240	GMM
GMA26240-10-26	26.5 - 40.0	10	26.0	2.0	5.0	2.5:1	315	GMM
GMA26240-10-31	26.5 - 40.0	10	31.0	2.0	5.0	2.5:1	390	GMM
GMA26240-10-37	26.5 - 40.0	10	37.0	2.0	5.0	2.5:1	460	GMM
GMA26240-10-42	26.5 - 40.0	10	42.0	2.0	5.0	2.5:1	530	GMM
GMA26240-10-49	26.5 - 40.0	10	49.0	2.0	5.0	2.5:1	590	GMM
GMA26240-14-22	26.5 - 40.0	14	22.0	2.5	7.0	2.5:1	540	GMM
GMA26240-14-27	26.5 - 40.0	14	27.0	2.5	7.0	2.5:1	615	GMM
GMA26240-17-21	26.5 - 40.0	17	21.0	2.5	8.0	2.5:1	925	GMM
GMA26240-17-27	26.5 - 40.0	17	27.0	2.5	8.0	2.5:1	1000	GMM
GMA26240-20-22	26.5 - 40.0	20	22.0	2.5	8.0	2.5:1	2000	GMM
GMA26240-20-27	26.5 - 40.0	20	27.0	2.5	8.0	2.5:1	2100	GMM

**Notes:**

1. All of Genesis amplifier components have built-in voltage regulators operating from +11.5Vdc to 15.5Vdc.
2. Maximum RF input power is 20dBm (CW) or 30dBm pulse, 1m second and 1% duty cycle.

## Temperature Compensated Amplifiers

Temp. Comp 26.5 - 40.0 GHz Amplifiers ( Specs. Guaranteed @ -54 to +85 ° C )								
GMI MODEL #	FREQUENCY RANGE (GHz)	PWR OUT P1dB (min)	GAIN (dB) min.	GAIN OVER TEMP (±dB)	NOISE FIGURE (dB)	VSWR (max)	DC CURRENT +15 Vdc TYP	CASE
GTC26240-06-22	26.5 - 40.0	6	22.0	4.0	9.0	2.5:1	365	GMM
GTC26240-06-25	26.5 - 40.0	6	25.0	4.0	9.0	2.5:1	440	GMM
GTC26240-06-29	26.5 - 40.0	6	29.0	4.0	9.0	2.5:1	515	GMM
GTC26240-10-21	26.5 - 40.0	10	21.0	4.0	9.0	2.5:1	490	GMM
GTC26240-10-26	26.5 - 40.0	10	26.0	4.0	9.0	2.5:1	540	GMM
GTC26240-30-32	26.5 - 40.0	30	32.0	4.0	9.0	2.5:1	640	GMM

**GMI offers a wide variety of customized microwave components and building block subassemblies. If our catalog products do not meet your requirements, please call us at 916-941-9125 and Genesis will customize your needs.**



## GMI 18.0 - 40.0 GHz Amplifiers

### Standard 18.0 - 40.0 GHz Amplifiers ( Specs. Guaranteed @ 25 ° C )

GMI MODEL #	FREQUENCY RANGE (GHz)	PWR OUT P1dB (min)	GAIN (dB) min.	GAIN FLAT (±dB)	NOISE FIGURE (dB)	VSWR (max)	DC CURRENT +15 Vdc TYP	CASE
GMA18240-06-21	18.0 - 40.0	6	21.0	2.0	5.5	2.5:1	340	GMM
GMA18240-06-25	18.0 - 40.0	6	25.0	2.0	5.0	2.5:1	415	GMM
GMA18240-06-30	18.0 - 40.0	6	30.0	2.0	5.0	2.5:1	490	GMM
GMA18240-10-22	18.0 - 40.0	10	22.0	2.5	7.5	2.5:1	365	GMM
GMA18240-10-26	18.0 - 40.0	10	26.0	2.5	8.0	2.5:1	440	GMM
GMA18240-13-25	18.0 - 40.0	13	25.0	3.0	7.5	2.5:1	515	GMM
GMA18240-13-29	18.0 - 40.0	13	29.0	3.5	7.5	2.5:1	590	GMM
GMA18240-13-37	18.0 - 40.0	13	37.0	3.5	7.5	2.5:1	665	GMM
GMA18240-18-19	18.0 - 40.0	18	19.0	2.5	9.0	3.0:1	2000	GMM
GMA18240-18-27	18.0 - 40.0	18	27.0	2.5	9.0	3.0:1	2100	GMM

### Temperature Compensated Amplifiers

#### Temp. Comp 18.0 - 40.0 GHz Amplifiers ( Specs. Guaranteed @ -54 to +85 ° C )

GMI MODEL #	FREQUENCY RANGE (GHz)	PWR OUT P1dB (min)	GAIN (dB) min.	GAIN OVER TEMP (±dB)	NOISE FIGURE (dB)	VSWR (max)	DC CURRENT +15 Vdc TYP	CASE
GTC18240-07-17	18.0 - 40.0	7	17.0	3.5	9.0	2.5:1	440	GMM
GTC18240-07-21	18.0 - 40.0	7	21.0	3.5	9.0	2.5:1	515	GMM
GTC18240-10-22	18.0 - 40.0	10	22.0	3.5	9.0	2.5:1	590	GMM
GTC18240-10-27	18.0 - 40.0	10	27.0	3.5	9.0	2.5:1	665	GMM

*Notes:*

1. All of Genesis amplifier components have built-in voltage regulators operating from +11.5Vdc to 15.5Vdc.
2. Maximum RF input power is 20dBm (CW) or 30dBm pulse, 1m second and 1% duty cycle.

**GMI offers a wide variety of customized microwave components and building block subassemblies. If our catalog products do not meet your requirements, please call us at 916-941-9125 and Genesis will customize your needs.**

## GMI POWER AMPLIFIERS

( Specs. Guaranteed @ -54 to +85 ° C )								
GMI MODEL #	FREQUENCY RANGE (GHz)	PWR OUT P1dB (min)	GAIN (dB) min.	GAIN FLAT (±dB)	NOISE FIGURE (dB)	VSWR (max)	DC CURRENT +15 Vdc TYP	CASE
GMPA-1001	0.4 - 0.5	35	40.0	1.0		2.0:1	3600	GMC-NP1
GMPA-1002	1.0 - 1.50	39	45.0	1.5		2.0:1	9000 @28V	GMC-NP2
GMPA-1003	2.7 - 3.5	27	33.0	1.0		2.0:1	800	GMC-NP3
GMPA-1004	8.8 - 9.0	36	41.0	0.5	15.0	1.5:1	3500	GMC-NP4
GMPA-1005	9.3 - 9.5	33	35.0	0.5		1.5:1	2400	GMC-NP5

## LIMITING AMPLIFIERS

( Specs. Guaranteed @ -54 to +85 ° C )								
GMI MODEL #	FREQUENCY RANGE (GHz)	INPUT PWR (dBm) (min)	PSAT (dBm) min/max	PSAT FLATNESS (±dB)	NOISE FIGURE (dB)	VSWR (max)	DC CURRENT +15 Vdc TYP	CASE
GMMA-0510T5510	0.5 - 1.0	-40	9 / 11	1.0	6.0	2.0:1	500	GWB
GMMA-1002	2.0 - 6.0	-40	15 / 20	1.5	6.0	2.0:1	700	GWB
GMMA-4517T9015	4.5 - 17.0	-60	10 / 17	1.5	7.0	2.2:1	900	GWB
GMMA-6018T9015	6.0 - 18.0	-64	12 / 17	1.5	7.0	2.0:1	900	GWB
GMMA-1003	8.7 - 10.7	-60	23 / 27	2.0	5.0	2.0:1	875	GWB

*Notes:*

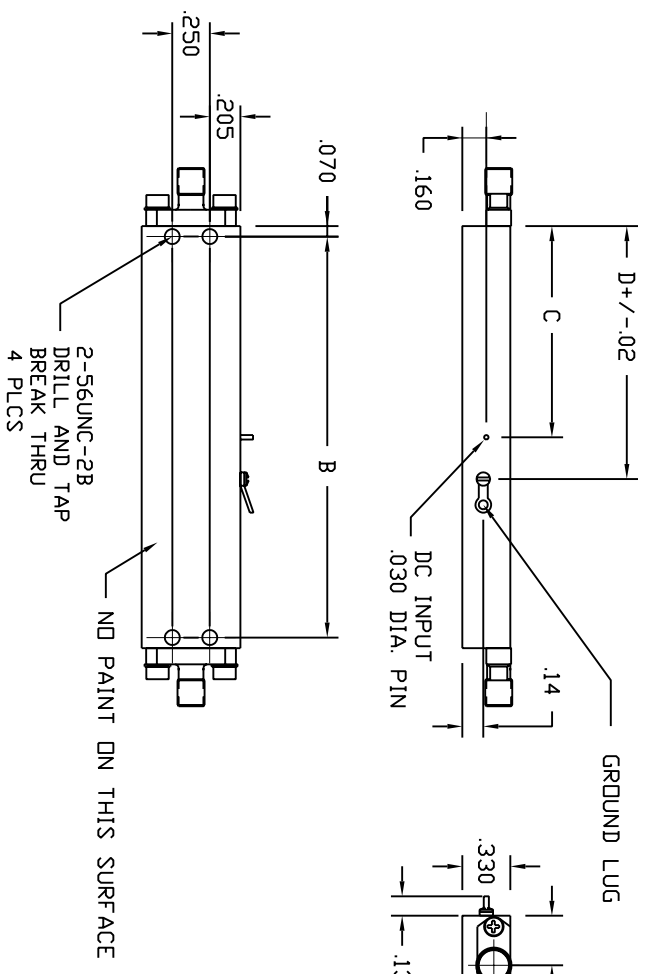
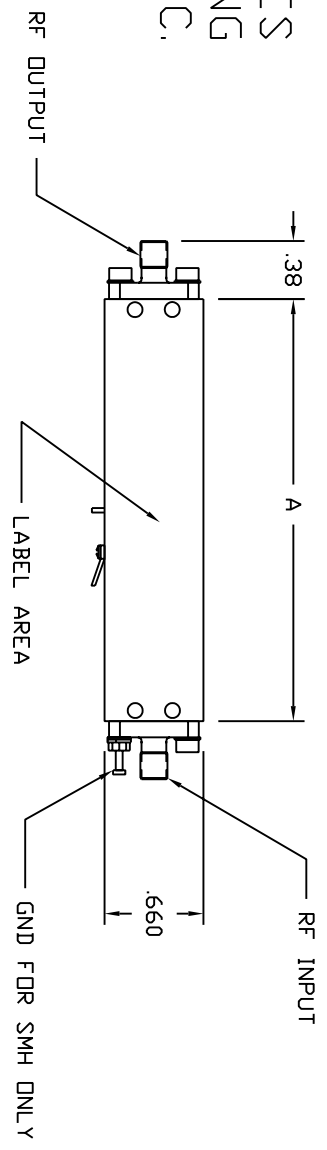
1. All of Genesis amplifier components have built-in voltage regulators operating from +11.5Vdc to 15.5Vdc.
2. Maximum RF input power is 20dBm (CW) or 30dBm pulse, 1m second and 1% duty cycle.

**GMI offers a wide variety of customized microwave components and building block subassemblies. If our catalog products do not meet your requirements, please call us at 916-941-9125 and Genesis will customize your needs.**

# GWB- SERIES INSTALLATION DRAWING GENESIS MICROWAVE, INC.

CASE	"A" DIM	"B" DIM	"C" DIM	"D" DIM
GWB-2	.868	.728	.43	---
GWB-3	1.116	.976	.43	.68
GWB-4	1.364	1.224	.68	.93
GWB-5	1.612	1.472	.68	.93
GWB-6	1.860	1.720	.92	1.37
GWB-7	2.108	1.968	.92	1.37
GWB-8	2.356	2.216	1.17	1.61
GWB-9	2.604	2.464	1.41	1.86
GWB-10	2.852	2.712	1.41	1.86

- NOTES:
1. ALL DIMENSIONS ARE IN INCHES.
  2. TOLERANCE: .XX = +/- .02  
.XXX = +/- .010
  3. ALL TOLERANCES APPLY BEFORE PAINT & LABELING.
  4. RF CONNECTORS ARE SMA FEMALE.

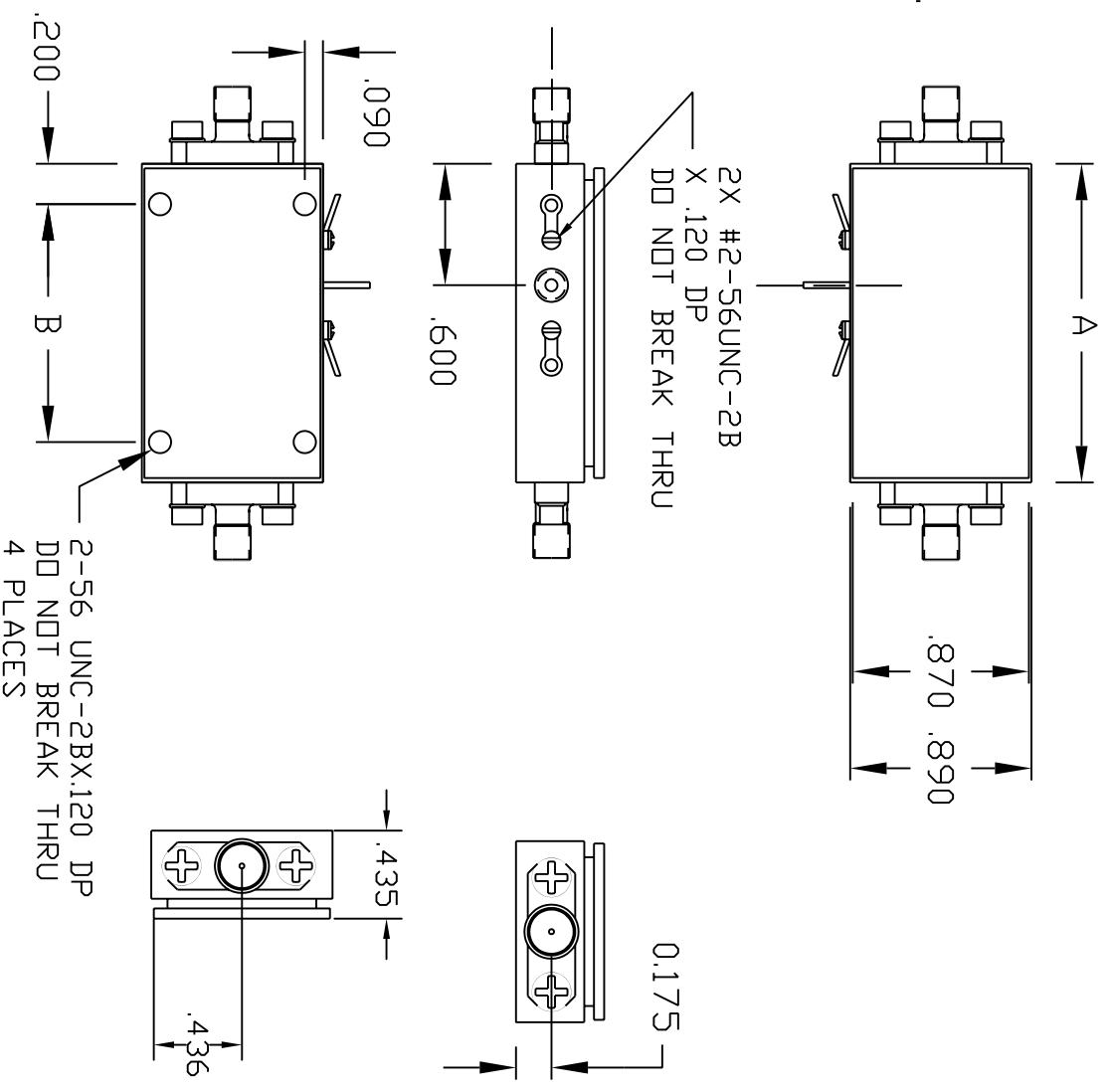


**GMI offers a wide variety of customized microwave components and building block subassemblies.**  
**If our catalog products do not meet your requirements, please call us at 916-941-9125 and Genesis will customize your needs.**

GMM SERIES  
 INSTALLATION DWG  
 GENESIS MICROWAVE, INC.

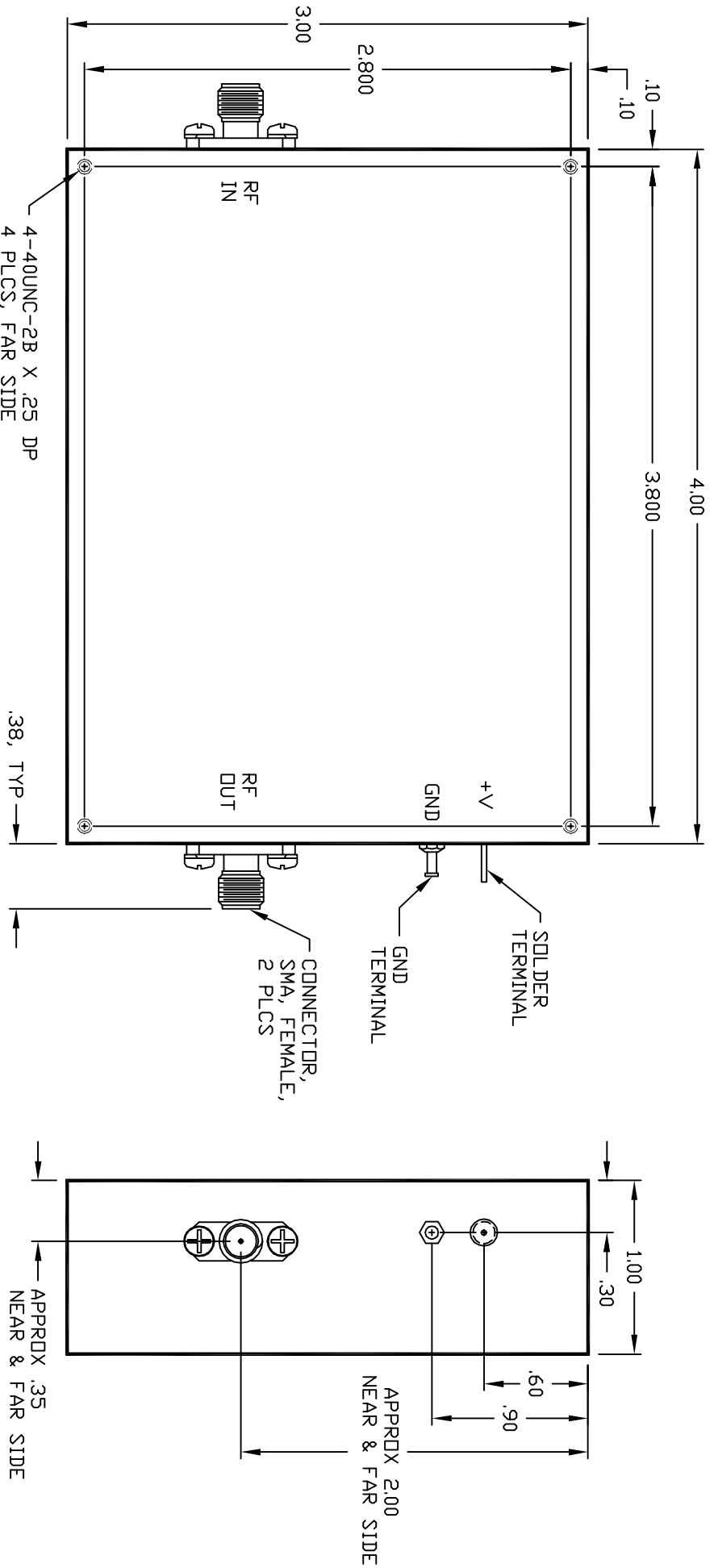
CASE	"A" DIM	"B" DIM
GMM-4	1.200	.800
GMM-5	1.400	1.000
GMM-6	1.600	1.200

- NOTES: (UNLESS OTHERWISE SPECIFIED)
1. FINISH- ELECTROLESS NICKEL PLATE PER MIL-C-26074, CLASS 4, GRADE B (.0005-.0007THK).
  2. MARKING- APPROX AS SHOWN PER MIL-STD-130.



**GMI offers a wide variety of customized microwave components and building block subassemblies. If our catalog products do not meet your requirements, please call us at 916-941-9125 and Genesis will customize your needs.**

GMC-NP1

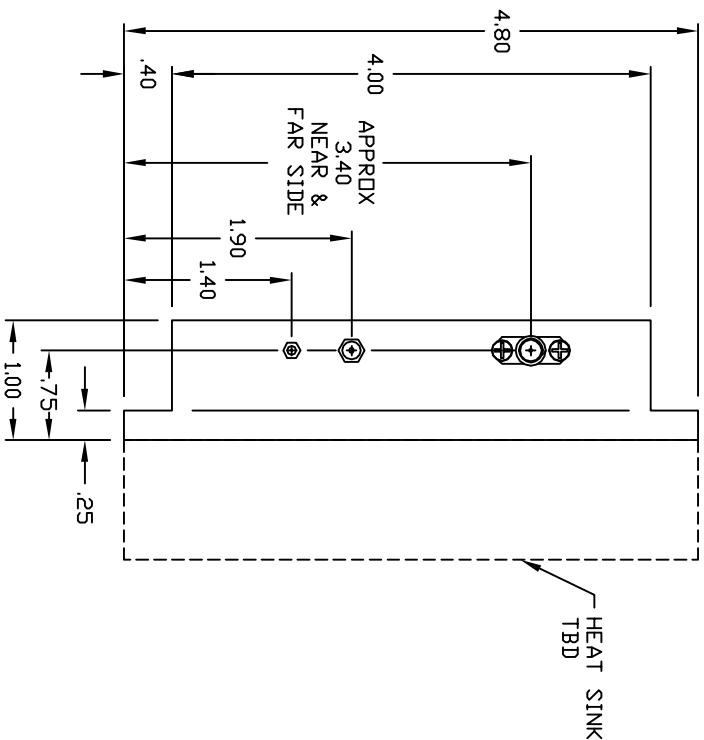
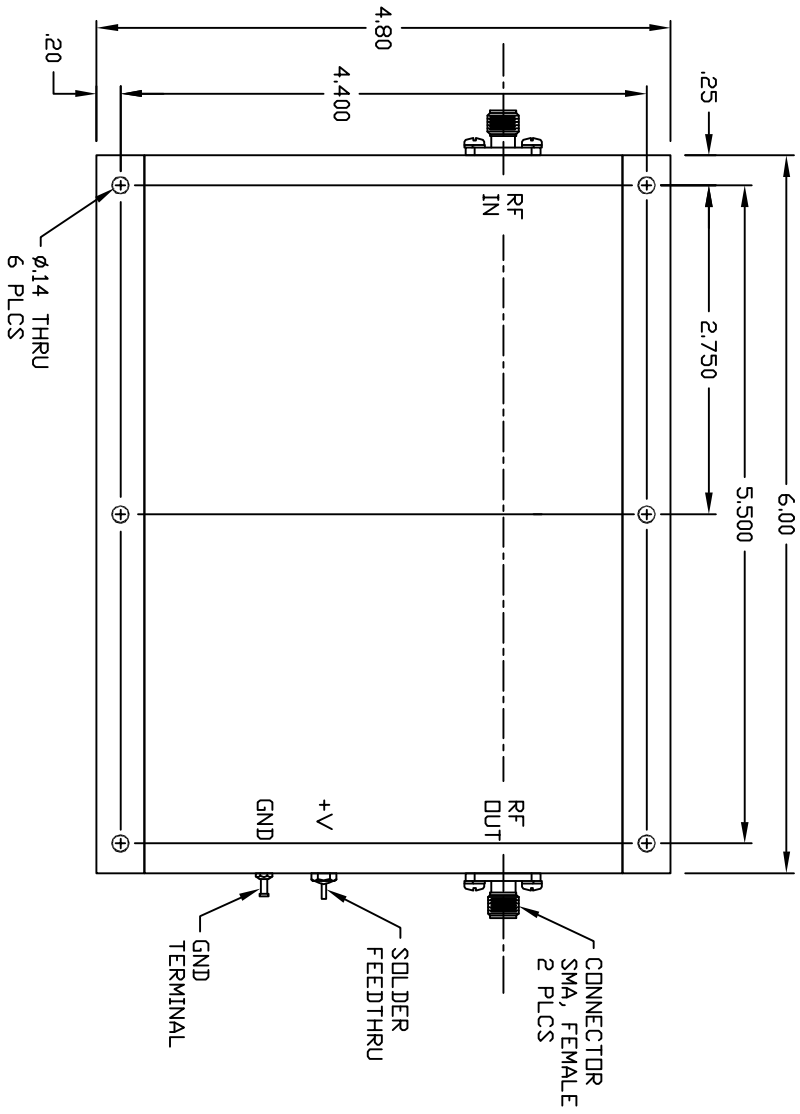


NOTE:

1. ALL DIMENSIONS ARE IN INCHES.
2. TOLERANCE: .XX = +/- 0.02  
.XXX = +/- 0.010
3. ALL TOLERANCES APPLY BEFORE PLATING OR CONVERSION COATING.
4. RF CONNECTORS ARE SMA FEMALE.
5. FINISH-ELECTROLESS NICKEL PLATE  
.0005 TD .0007 THK PER AMS 2404.

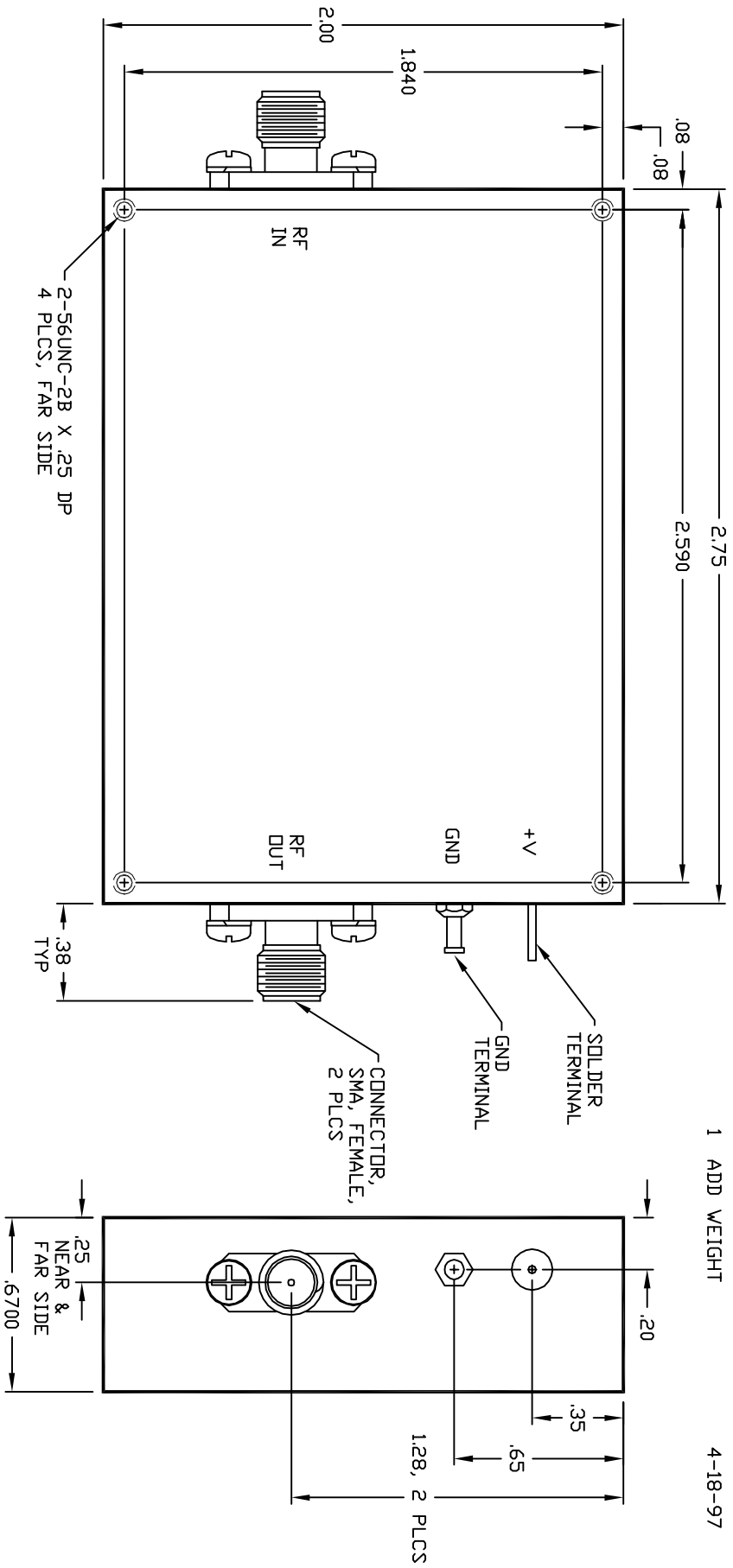


GMC-NP2



- NOTE:
1. ALL DIMENSIONS ARE IN INCHES.
  2. TOLERANCE: .XX = +/- 0.02  
.XXX = +/- 0.010
  3. ALL TOLERANCES APPLY BEFORE PLATING  
OR CONVERSION COATING.
  4. RF CONNECTORS ARE SMA FEMALE.
  5. FINISH-ELECTROLESS NICKEL PLATE  
.0005 TD .0007 THK PER AMS 2404.

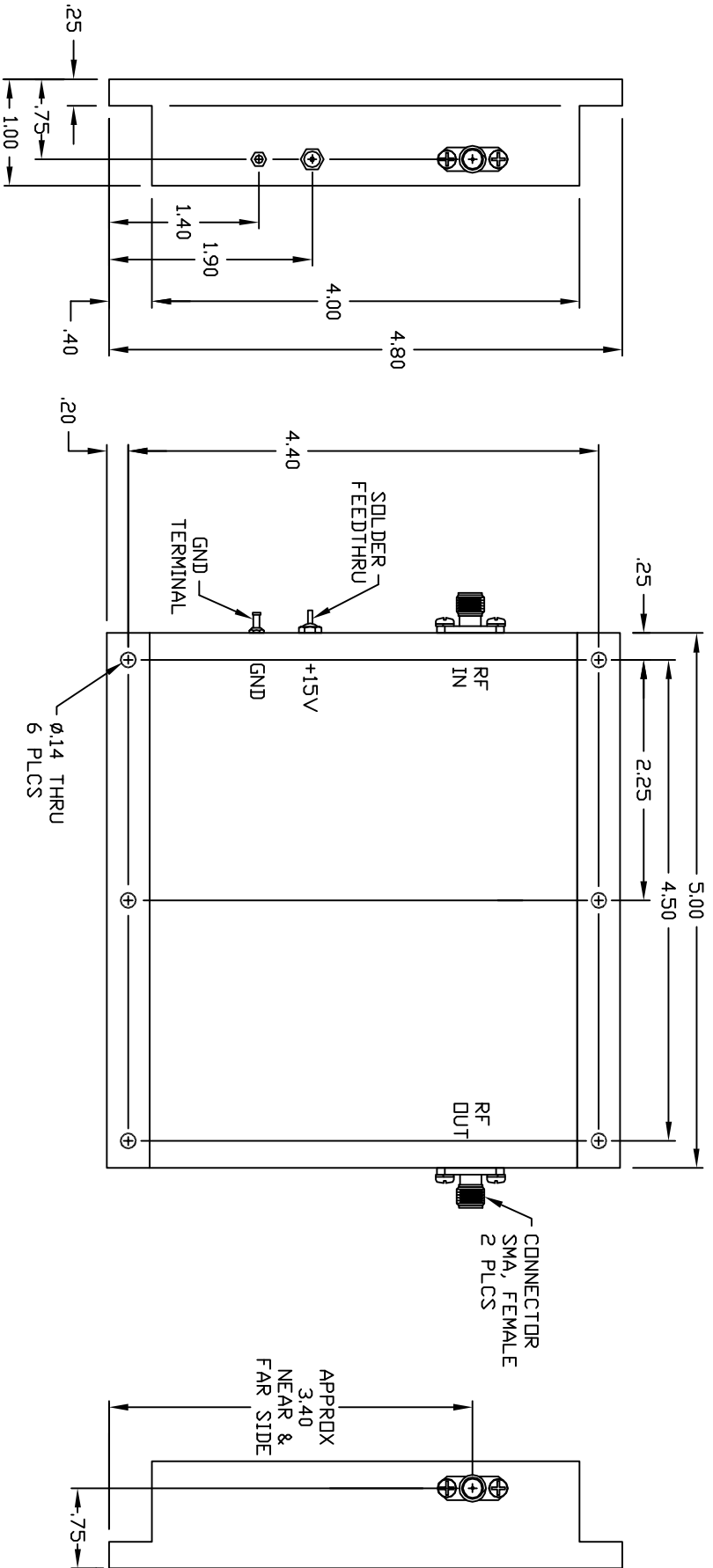
# GMC-NP3



**NOTE:**

1. ALL DIMENSIONS ARE IN INCHES.
2. TOLERANCE: .XX = +/- 0.02  
.XXX = +/- 0.010
3. ALL TOLERANCES APPLY BEFORE PLATING  
OR CONVERSION COATING.
4. RF CONNECTORS ARE SMA FEMALE.
5. FINISH-ELECTROLESS NICKEL PLATE  
.0005 TD .0007 THK PER AMS 2404.

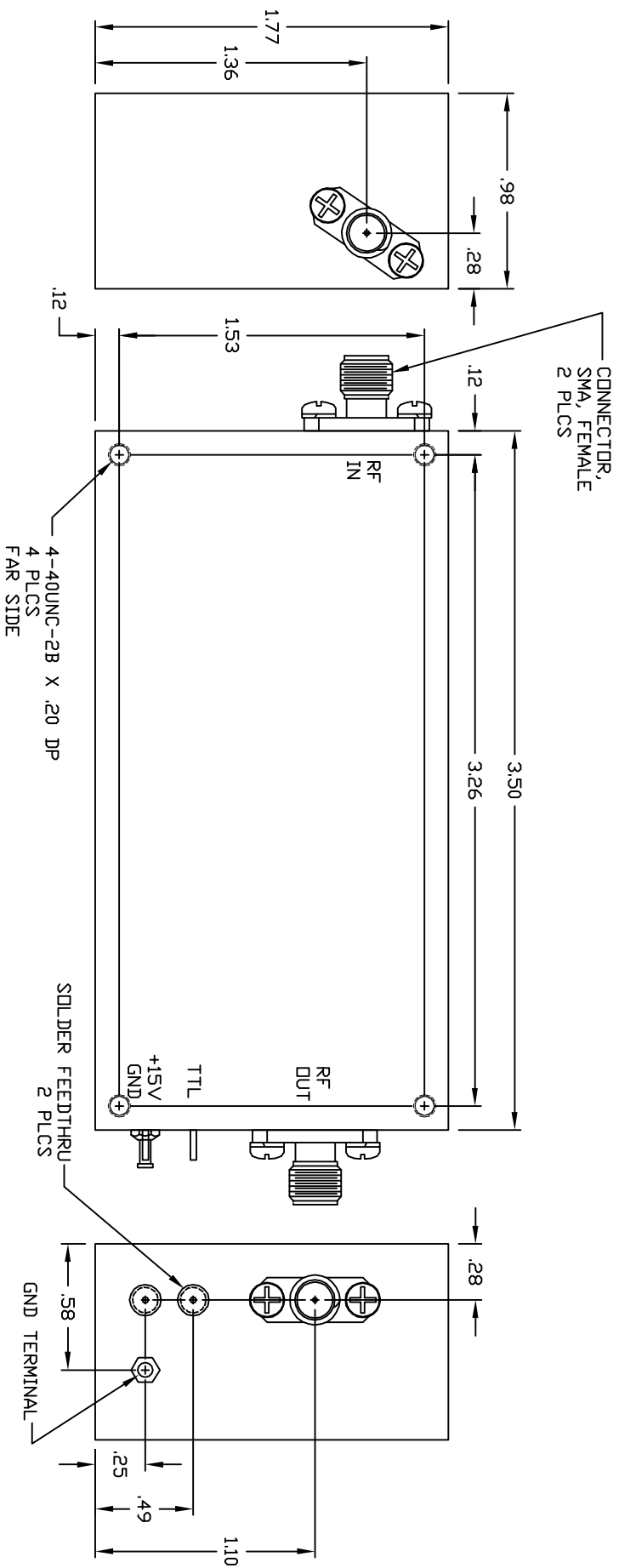
GMC-NP4



NOTE:

1. ALL DIMENSIONS ARE IN INCHES.
2. TOLERANCE: .XX = +/- 0.02  
.XXX = +/- 0.010
3. ALL TOLERANCES APPLY BEFORE PLATING OR CONVERSION COATING.
4. RF CONNECTORS ARE SMA FEMALE.
5. FINISH-ELECTROLESS NICKEL PLATE .0005 TD .0007 THK PER AMS 2404.

GMC-NP5



- NOTE:
1. ALL DIMENSIONS ARE IN INCHES.
  2. TOLERANCE: .XX = +/- 0.02  
.XXX = +/- 0.010
  3. ALL TOLERANCES APPLY BEFORE PLATING OR CONVERSION COATING.
  4. RF CONNECTORS ARE SMA FEMALE.
  5. FINISH-ELECTROLESS NICKEL PLATE .0005 TO .0007 THK PER AMS 2404.